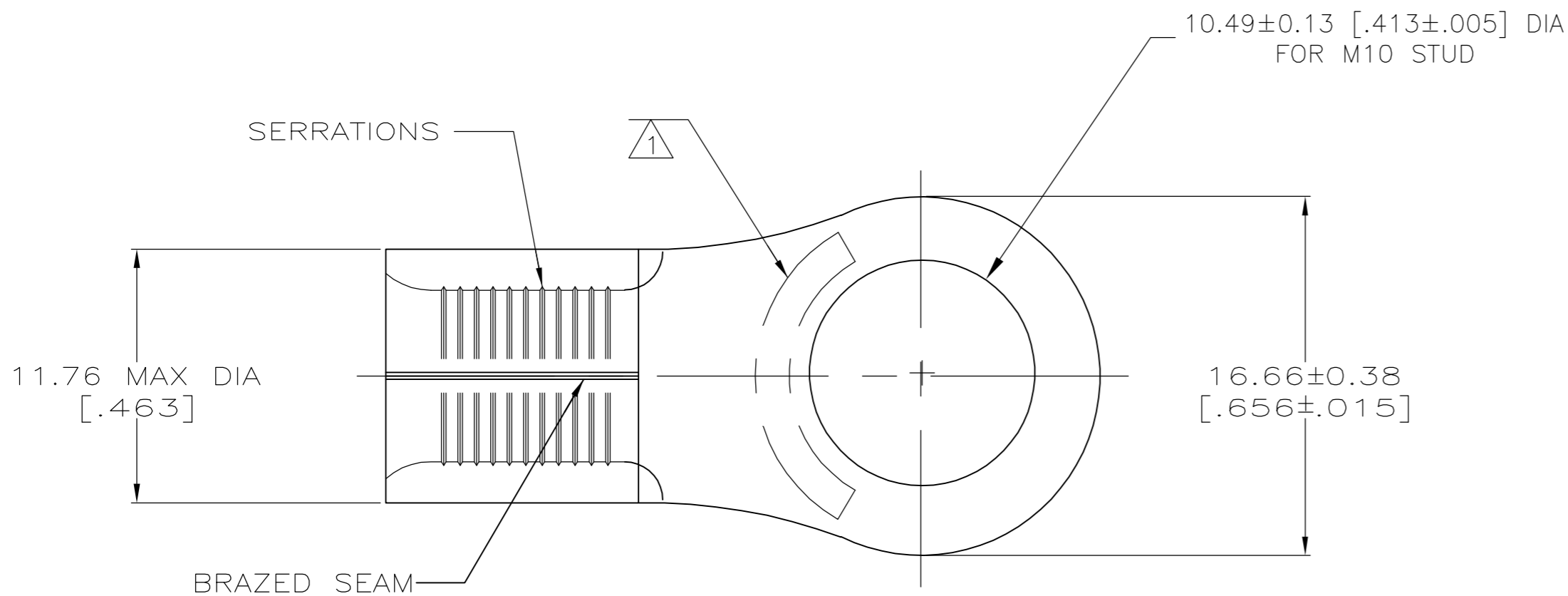
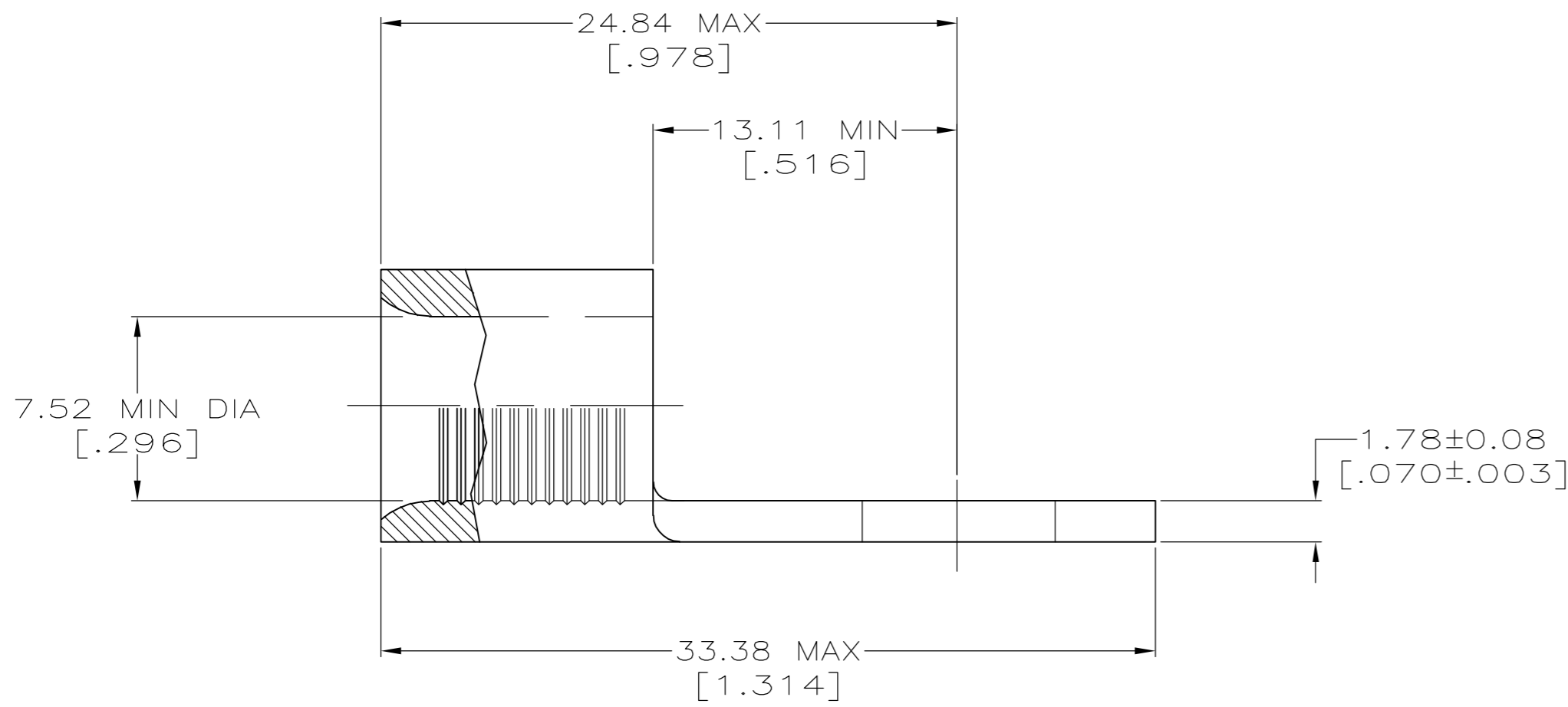


THIS DRAWING IS UNPUBLISHED. RELEASED FOR PUBLICATION
 © COPYRIGHT BY TYCO ELECTRONICS CORPORATION. ALL RIGHTS RESERVED.

LOC	DIST	REVISIONS			
P	LTR	DESCRIPTION	DATE	DWN	APVD
G	14	C	REV PER ECR 06-005021	01MAR06	JR TM



- STAMP AMP 4* APPROX AS SHOWN
- 2 MAX RECOMMENDED OPERATING TEMP IS 170°C MAX
- 3 VOLTAGE RATING, NOT APPLICABLE
- 4 WIRE CROSS SECTION AREA:
16.8-26.7mm² [33,100-52,600] CIR MIL
SOLID OR STRANDED
- 5 COPPER PER ASTM B-152, ANNEALED
- 6 TIN PLATE 0.00254 [.000100] MIN PER ASTM B545



100	LOOSE PIECE	160075
QTY	PACKAGING TYPE	PART NO.

THIS DRAWING IS A CONTROLLED DOCUMENT.		DWN	JR RUTH	01MAR06	 Tyco Electronics Corporation Harrisburg, PA 17105-3608		
DIMENSIONS: INCHES		CHK	T MICHIELUTTI	01MAR06			
TOLERANCES UNLESS OTHERWISE SPECIFIED:		APVD	T MICHIELUTTI	01MAR06			
0 PLC ± - 1 PLC ± - 2 PLC ± - 3 PLC ± 0.20[.008] 4 PLC ± - ANGLES ± - FINISH		PRODUCT SPEC	NAME			TERMINAL, RING TONGUE, SOLISTRAND	
MATERIAL		WEIGHT		SIZE	CAGE CODE	DRAWING NO	RESTRICTED TO
-5		-		A2	00779	C=160075	-
CUSTOMER DRAWING				SCALE	4:1	SHEET	1 of 1
				REV	C		

160075